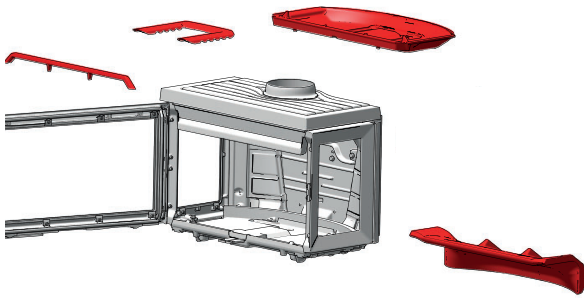
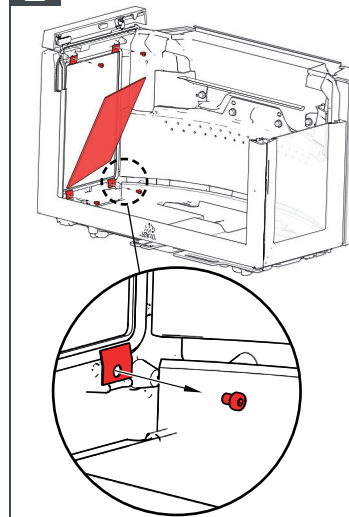


# HEAT SHIELD SIDE F 620

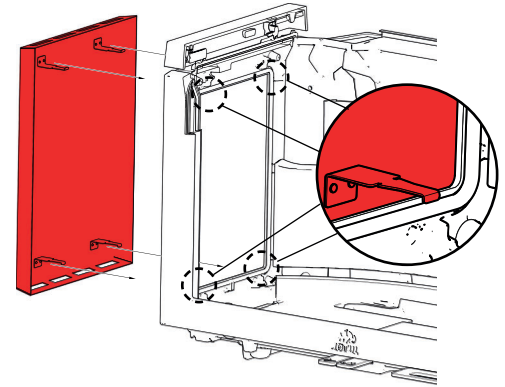
1



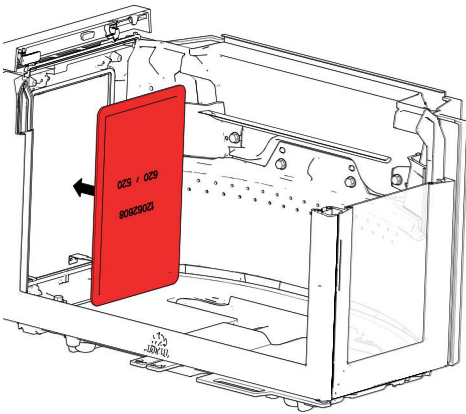
2



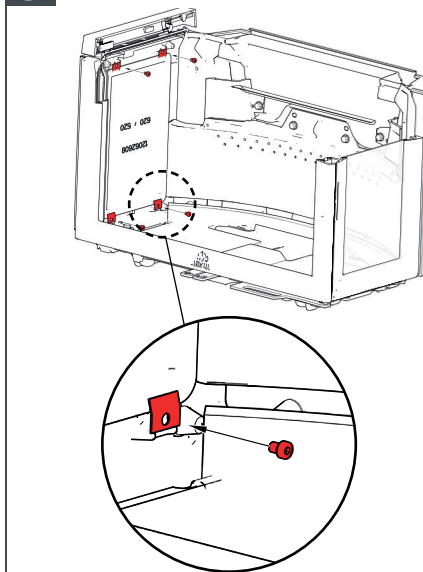
3



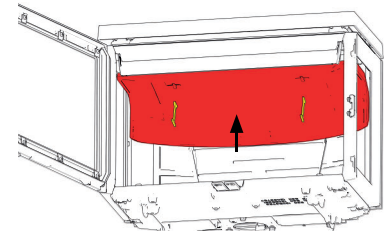
4



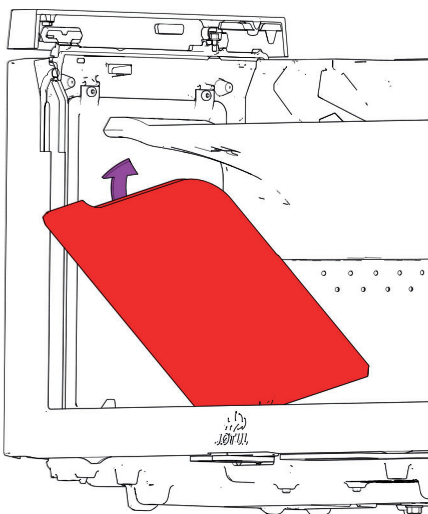
5



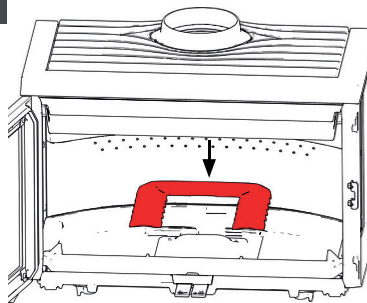
6



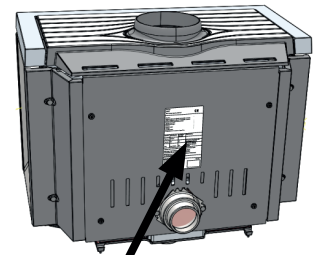
8



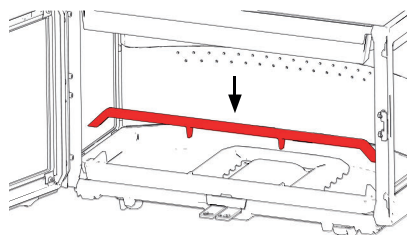
9




11



10



Product:  
**Jøtul F 620 F, FR, FL, ...**  
**Heatshield back, Convection kit**   
 Room heater fired by solid fuel Duf: F620NF-CPH-300822

Standards: EN 13240:2014C:2004C:2004  
 Minimum distance to combustible materials SIDE WITH GLASS: 600 mm  
 Minimum distance to combustible materials SIDE WITH CAST IRON: 400 mm  
 Minimum distance to combustible materials SIDE WITH CAST IRON + HEATSHIELD: 300 mm

Minimum distance to combustible materials REAR: 300 mm  
 Minimum distance to combustible materials HEATSHIELD: 100 mm  
 Minimum distance to combustible materials FLOOR: See manual

Emission of CO in combustion products (1% O<sub>2</sub>): 0,07%  
 Flue gas temperature: 272°C  
 Nominal heat output: 9,5 kW  
 Efficiency: 77%  
 Fuel type: Wood  
 Convection type: Indirect  
 Electrical safety: -  
 The appliance can be used in a shared flat.

Country	Classification	Standard	Approved by
EUR	Intermittent	EN 13240	Danish Technological Institute

Follow user's instructions. Use only recommended fuels.  
 Montage- und Bedienungsanleitung beachten.  
 Vorwenden Sie nur empfohlenen Brennstoffe.  
 Respectez les consignes d'utilisation. Utilisez uniquement les combustibles recommandés.

1001121010

Cut off this part and replace the label already attached to the product with this one

